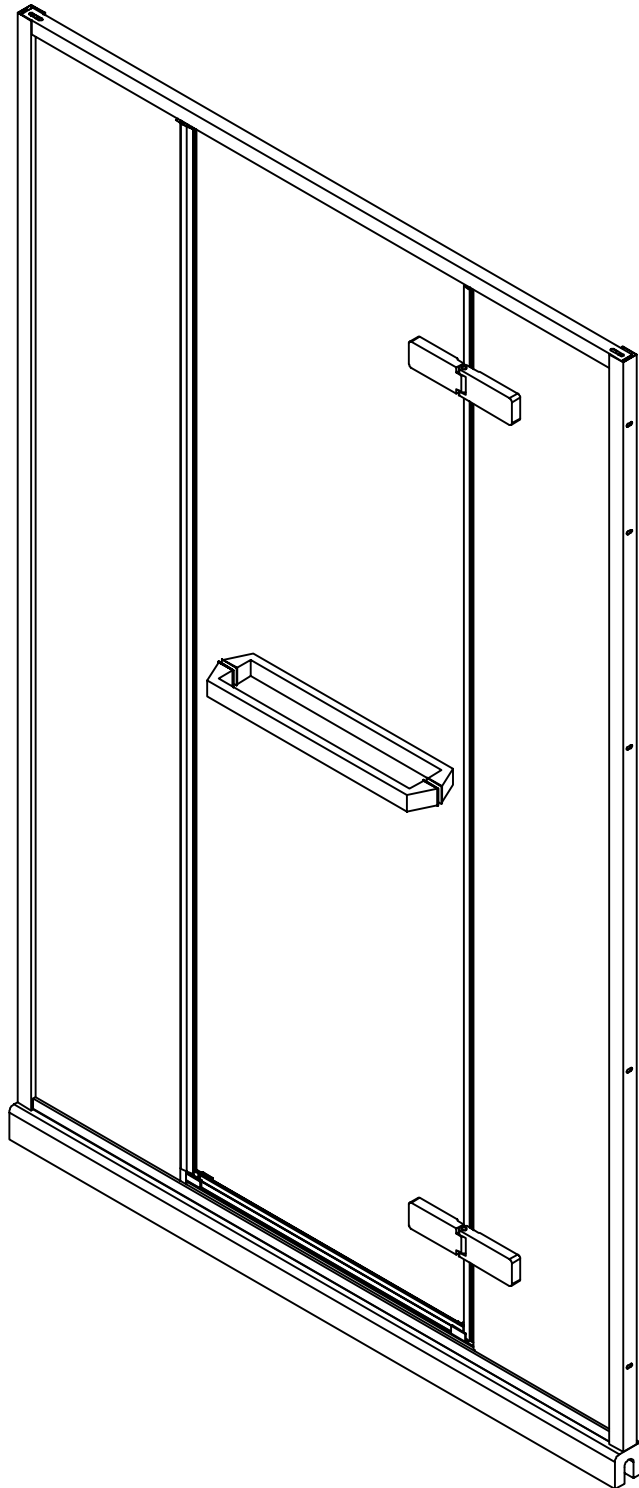
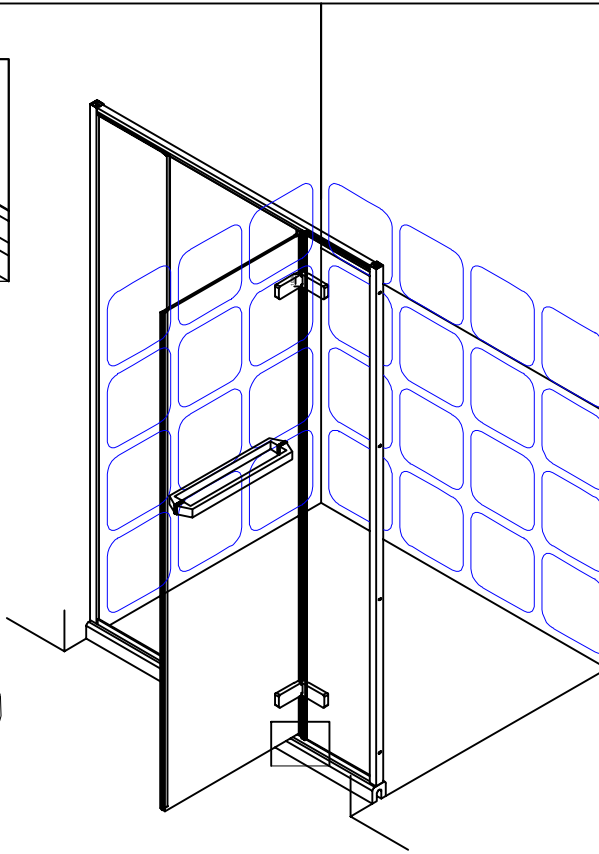
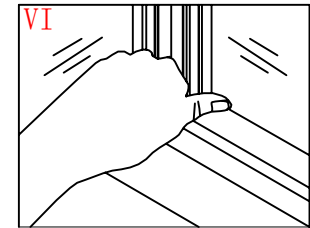
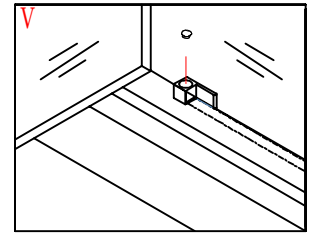
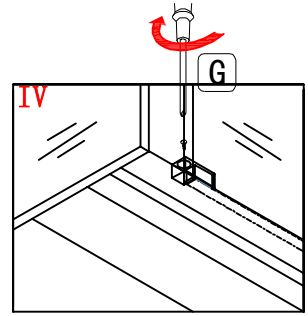
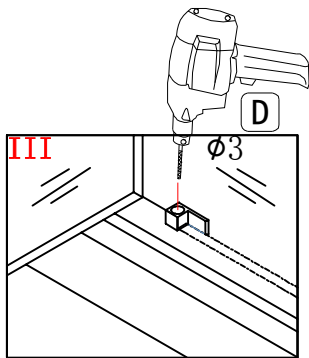
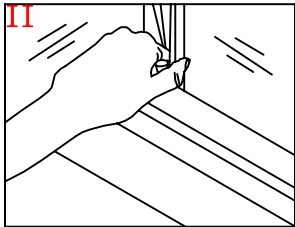
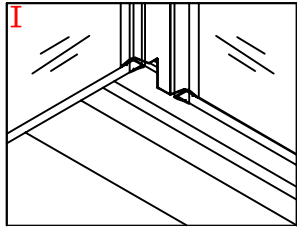
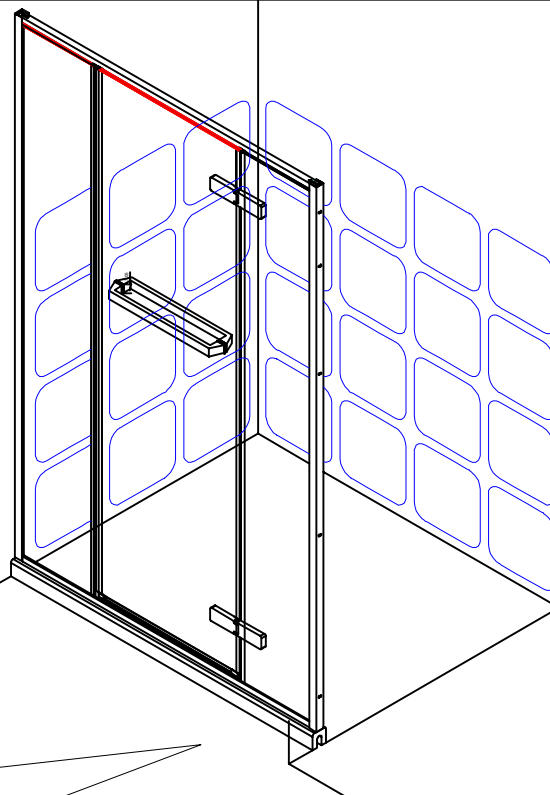
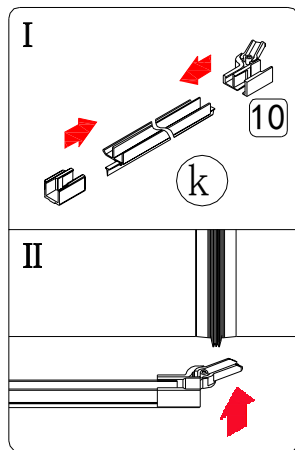


CH701



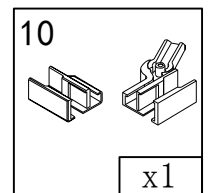
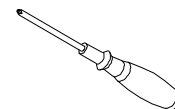


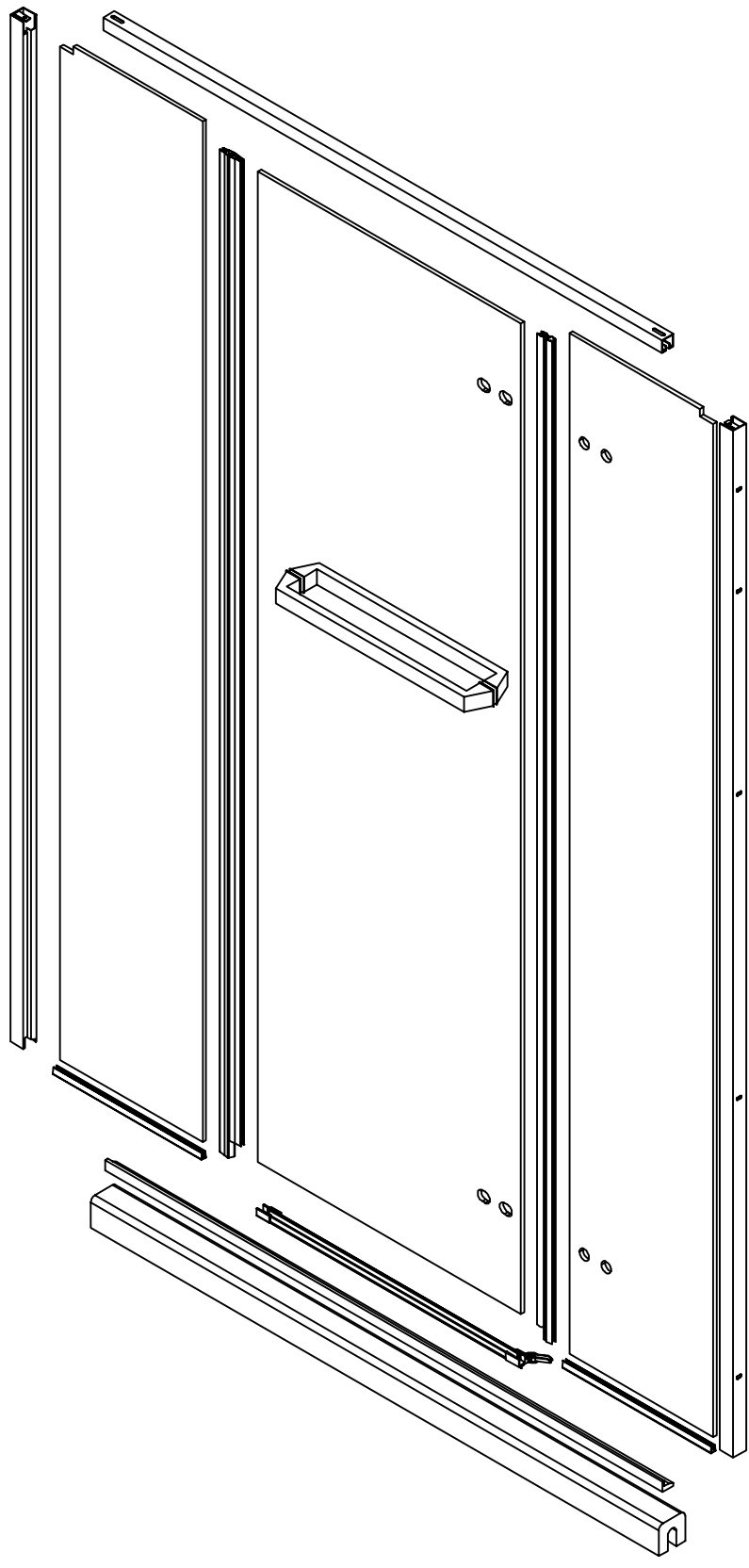
19

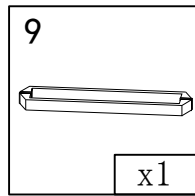
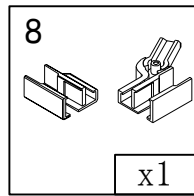
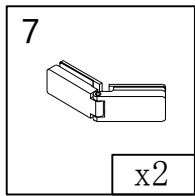
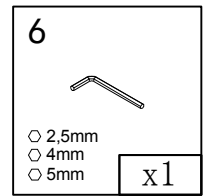
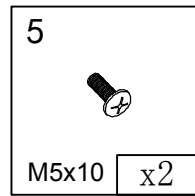
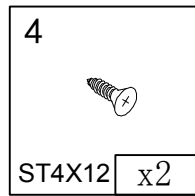
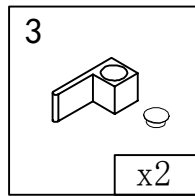
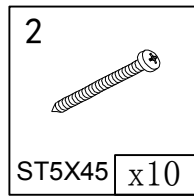
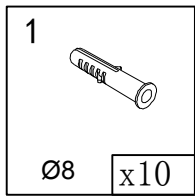
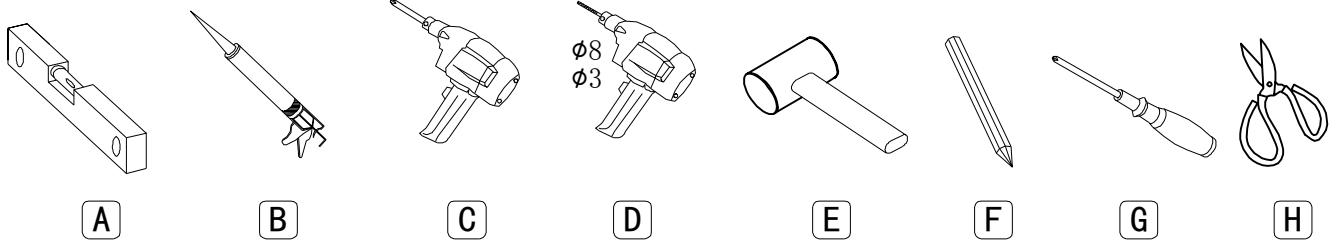
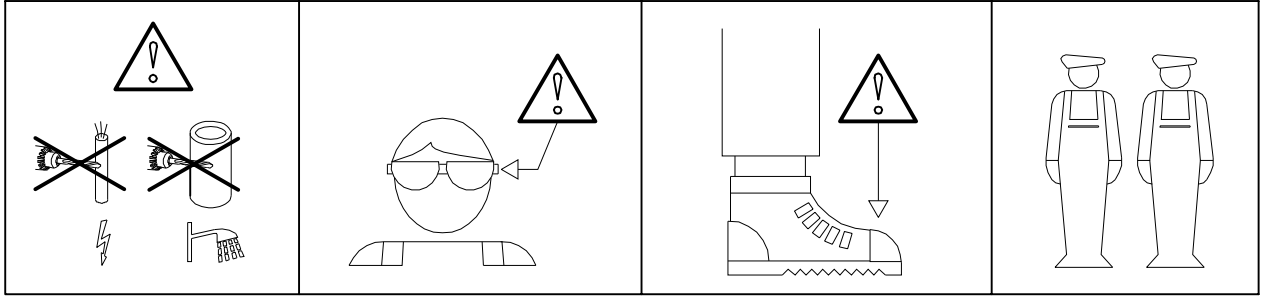


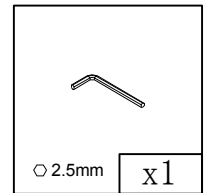
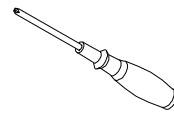
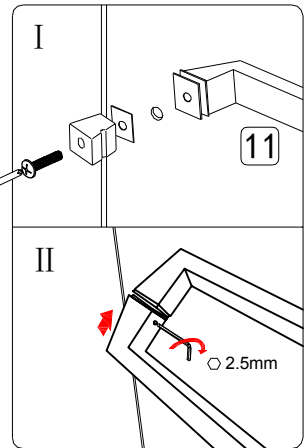
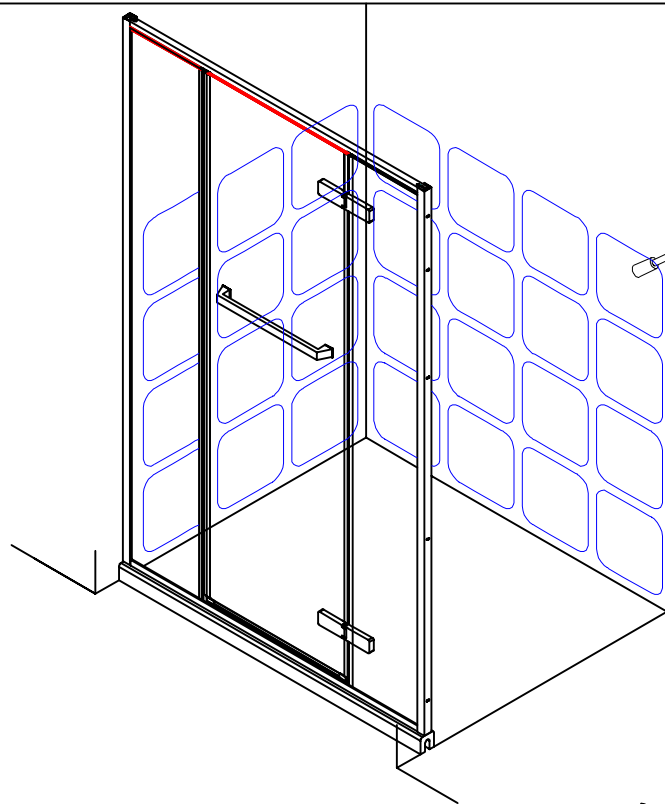
20

G





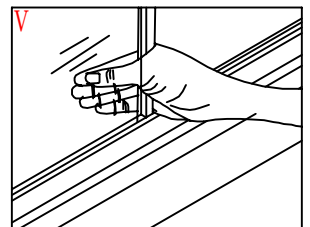
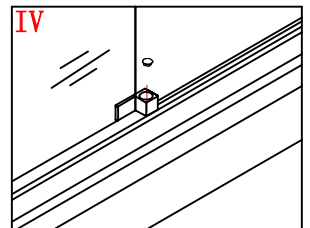
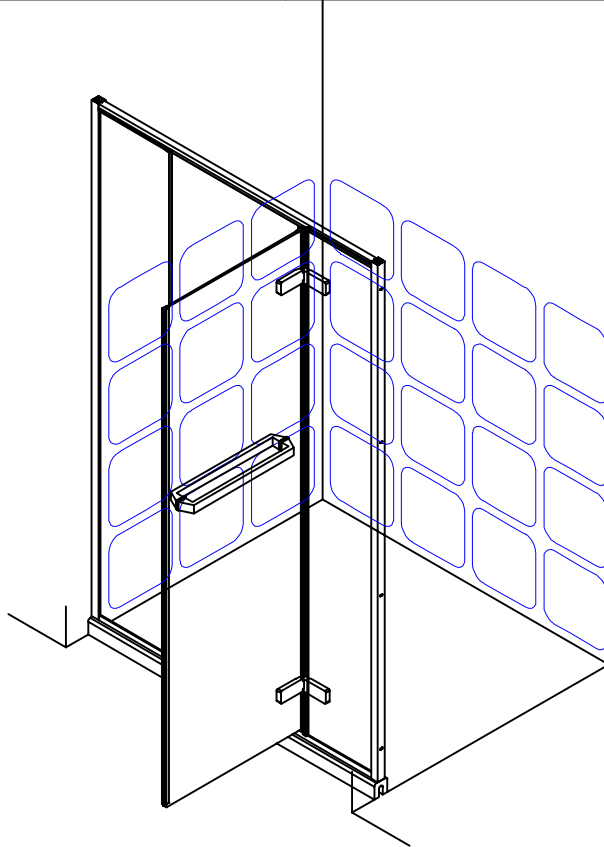
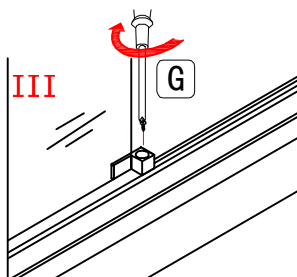
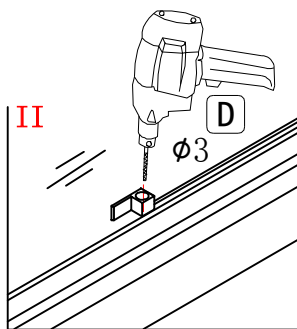
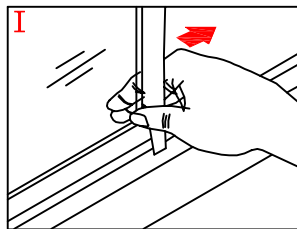




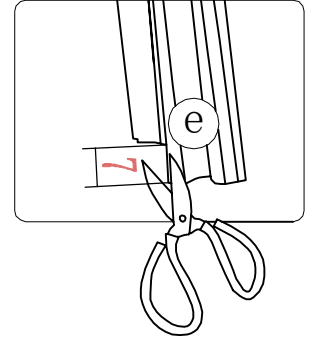
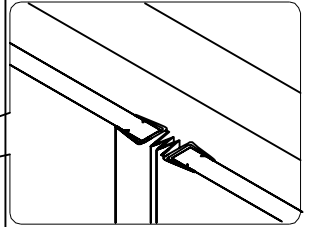
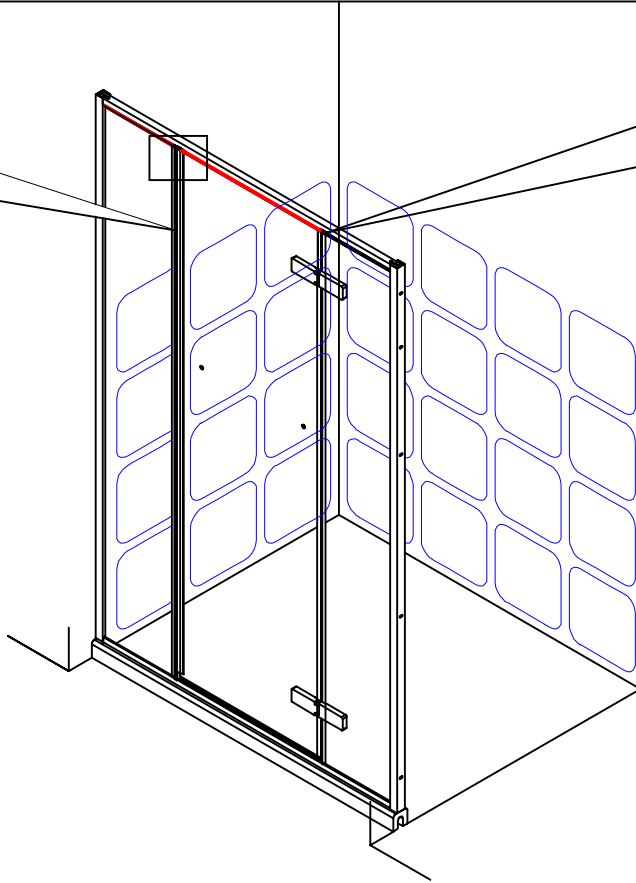
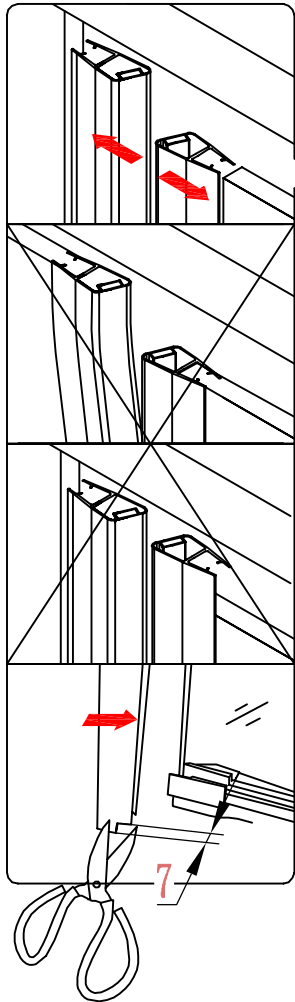
17

G

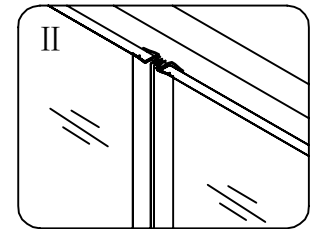
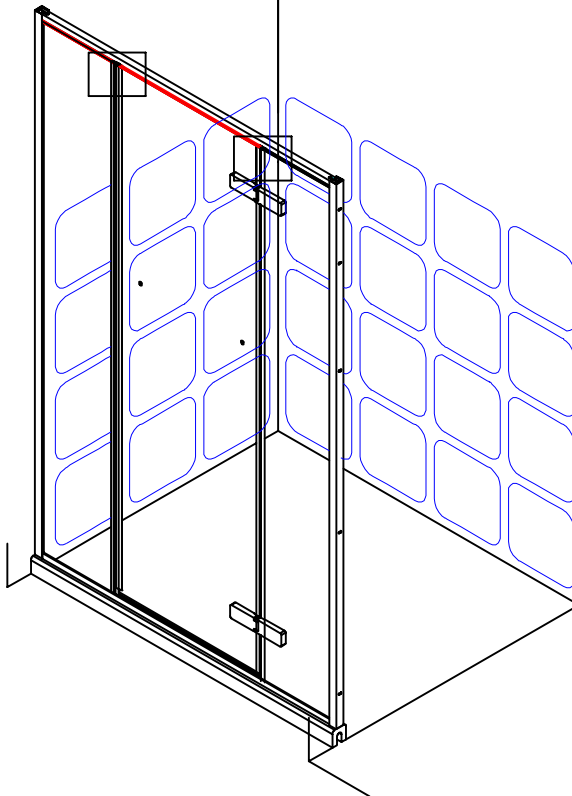
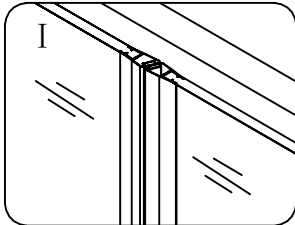
2.5mm x1



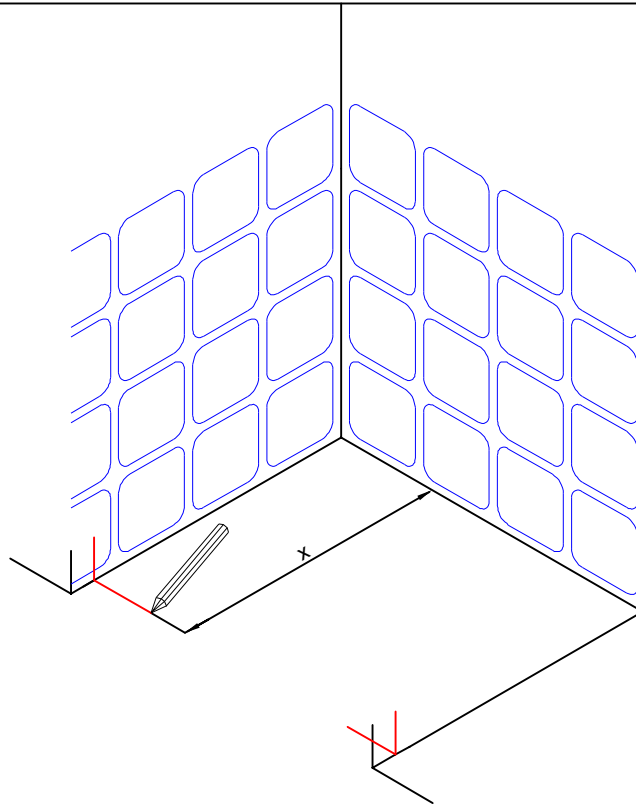
18



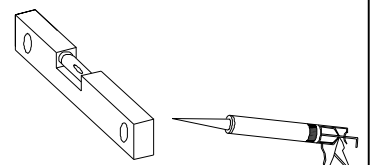
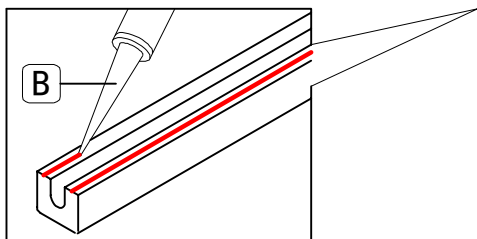
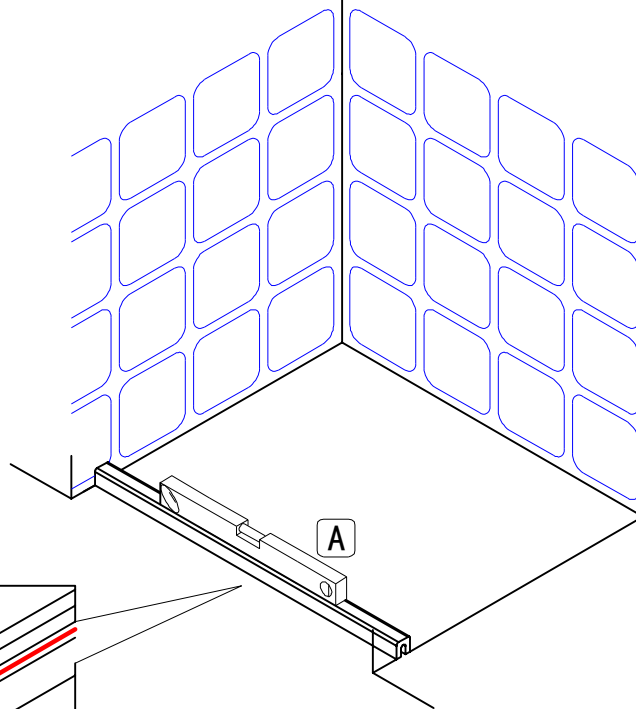
15



16

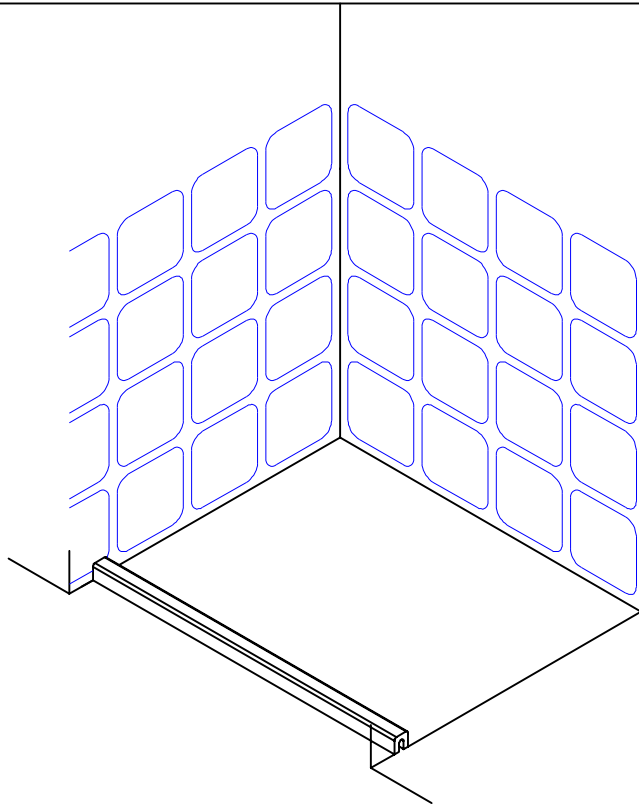


1

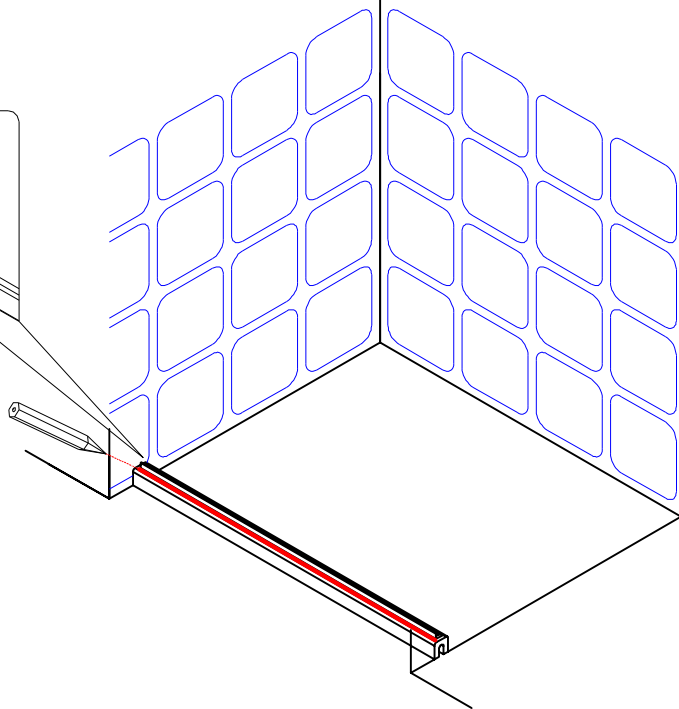
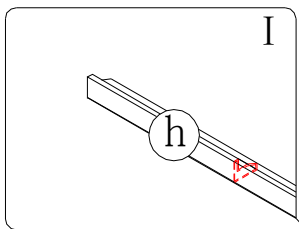


2

3



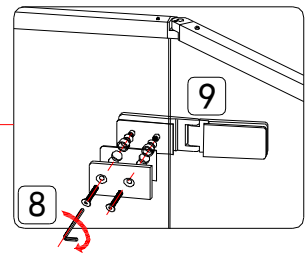
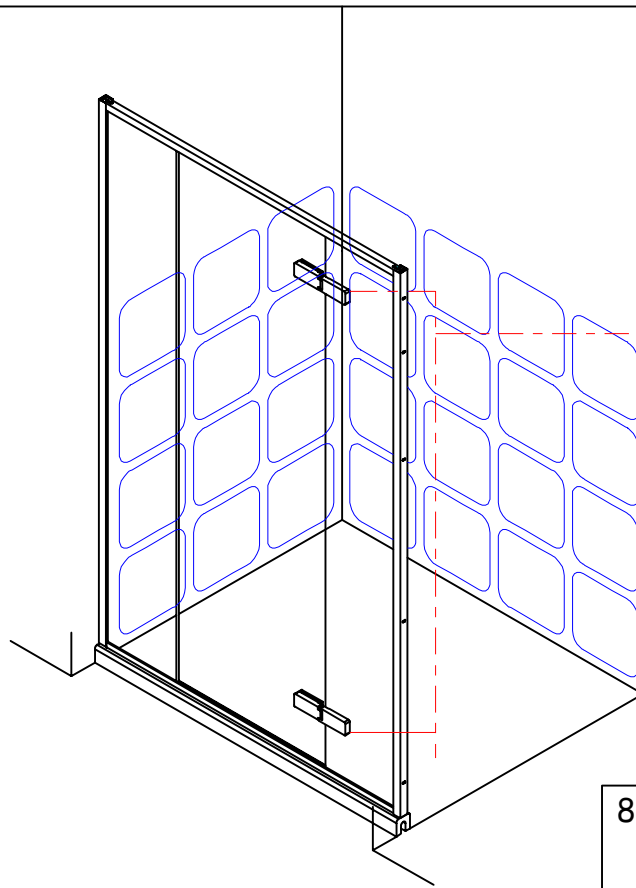
3



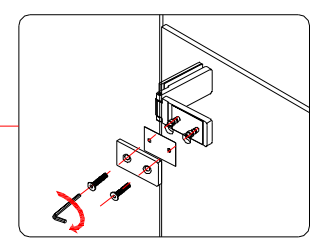
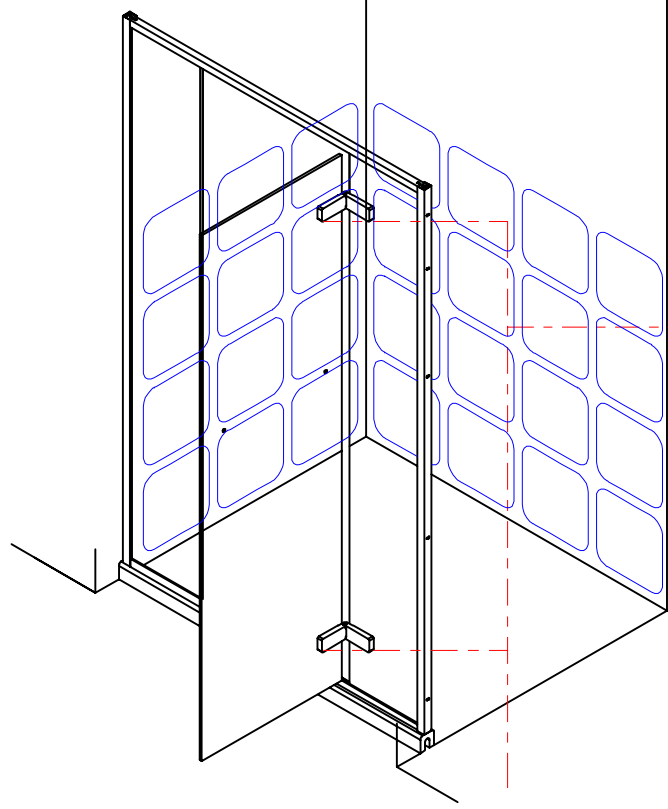
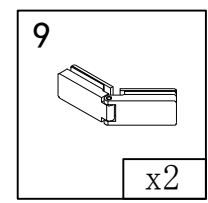
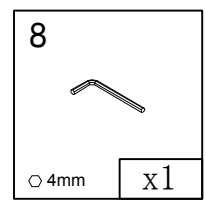
4



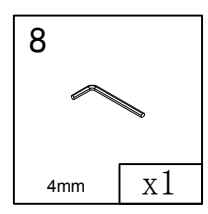
F

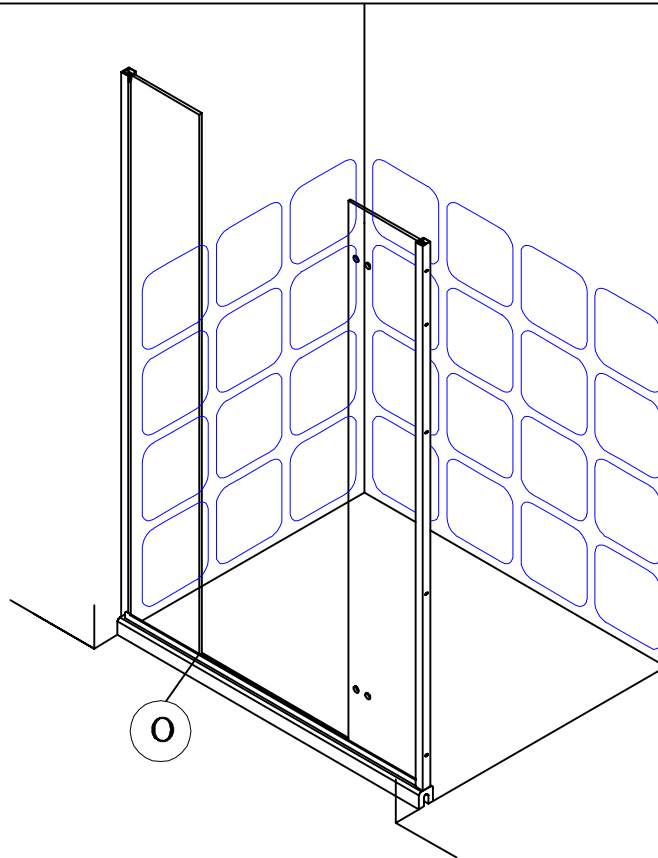


13



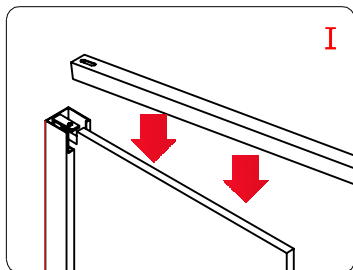
14



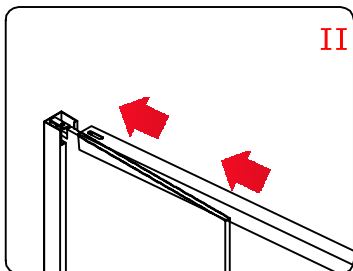


11

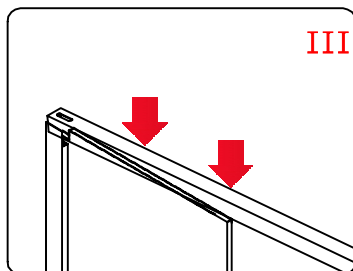
H



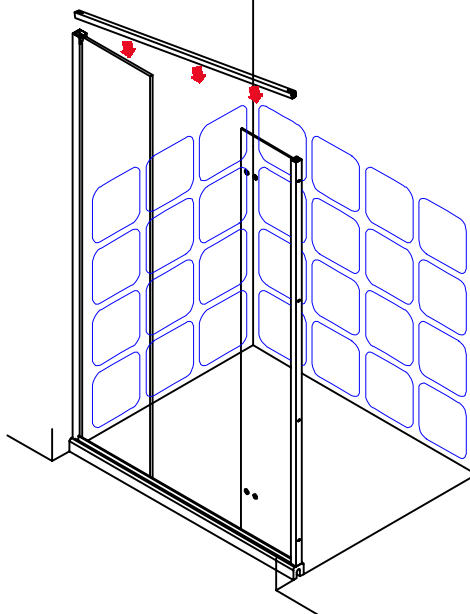
I



II

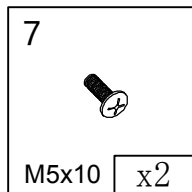


III



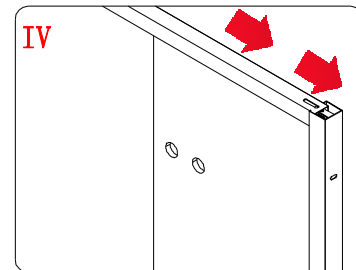
12

G

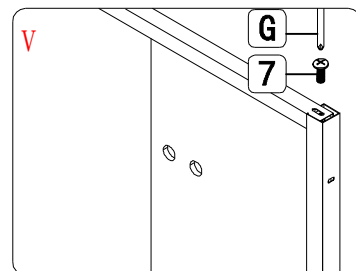


7

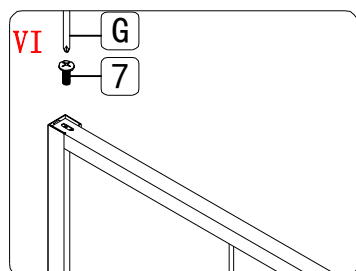
M5x10 x2



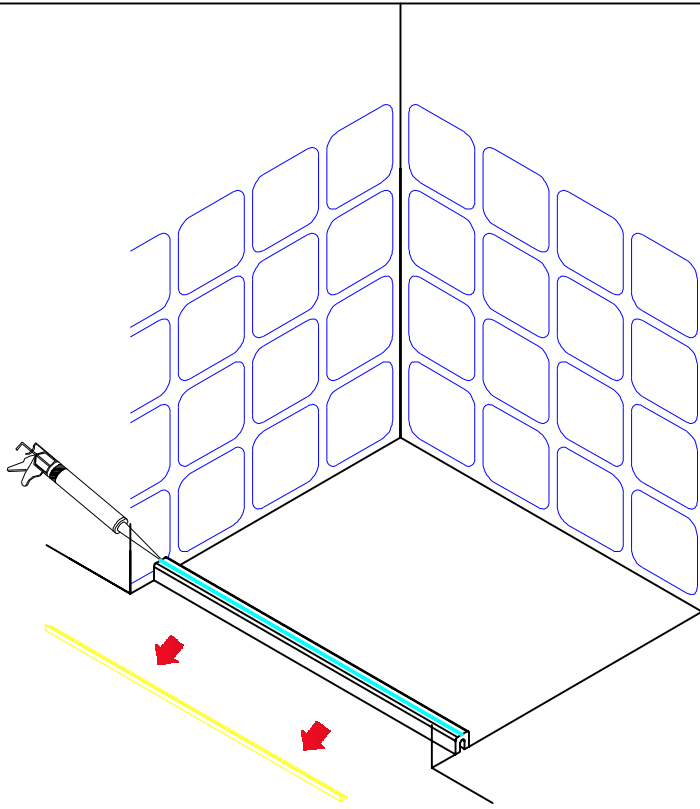
IV



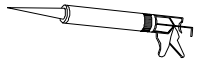
V



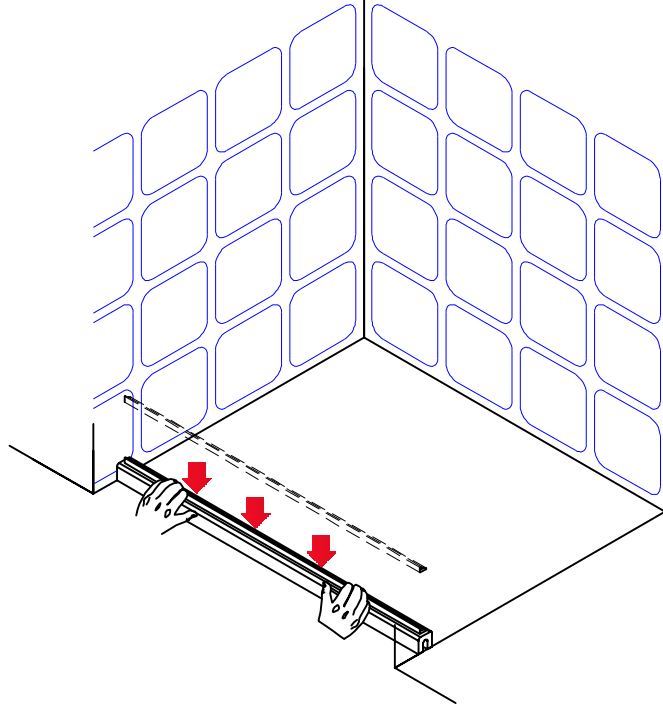
VI



5

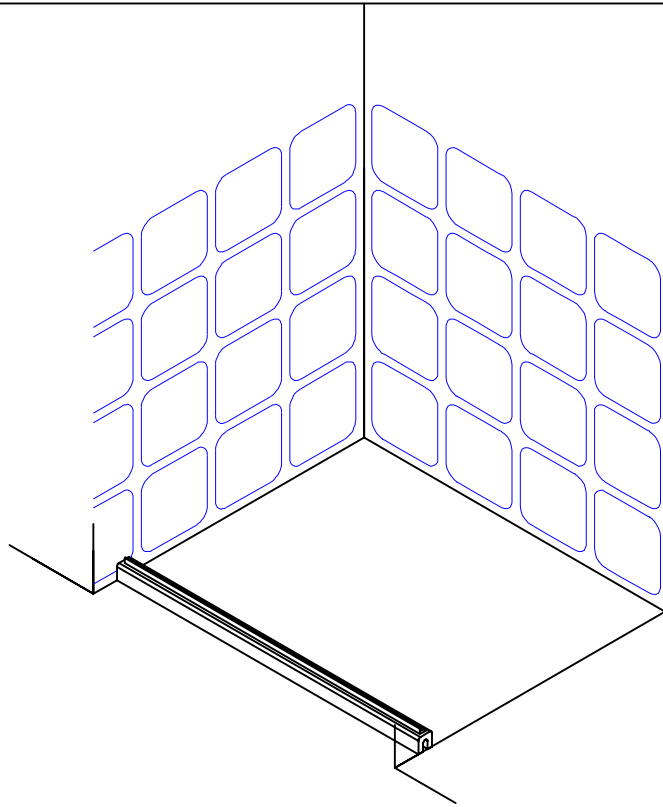


B

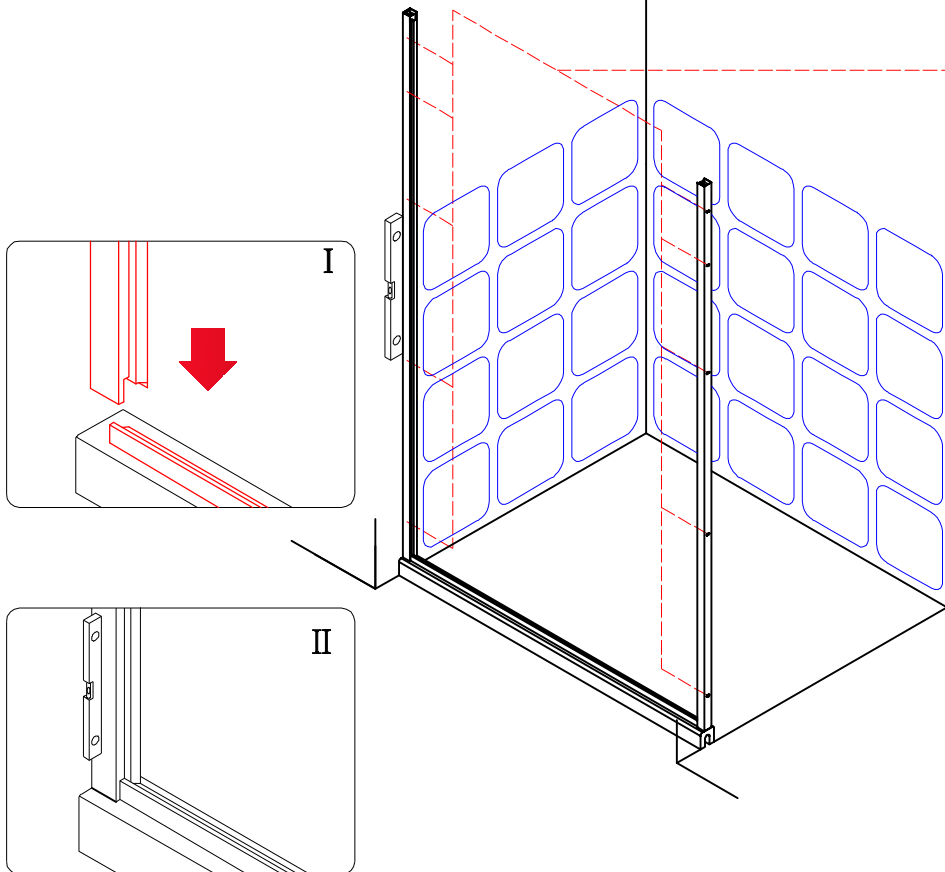


6

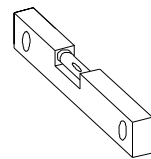
5



7



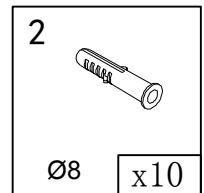
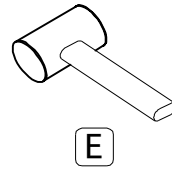
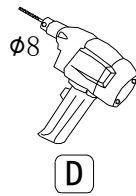
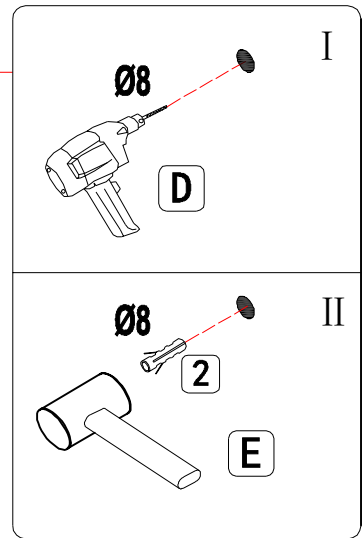
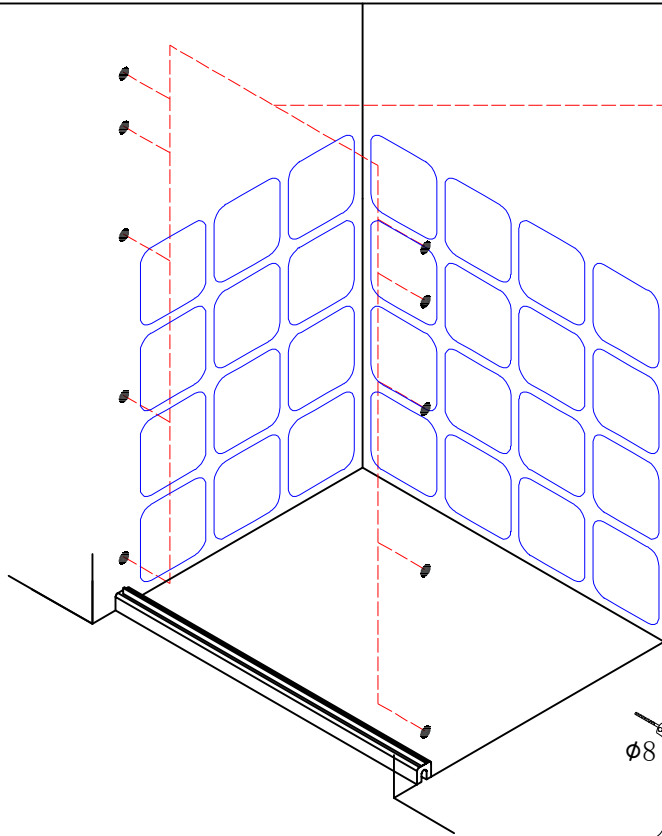
8



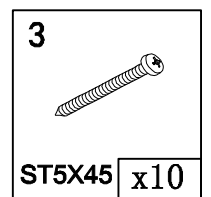
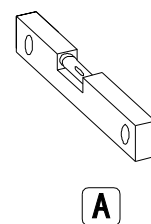
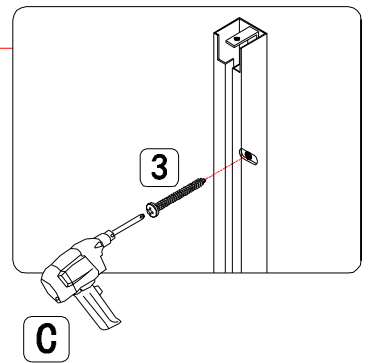
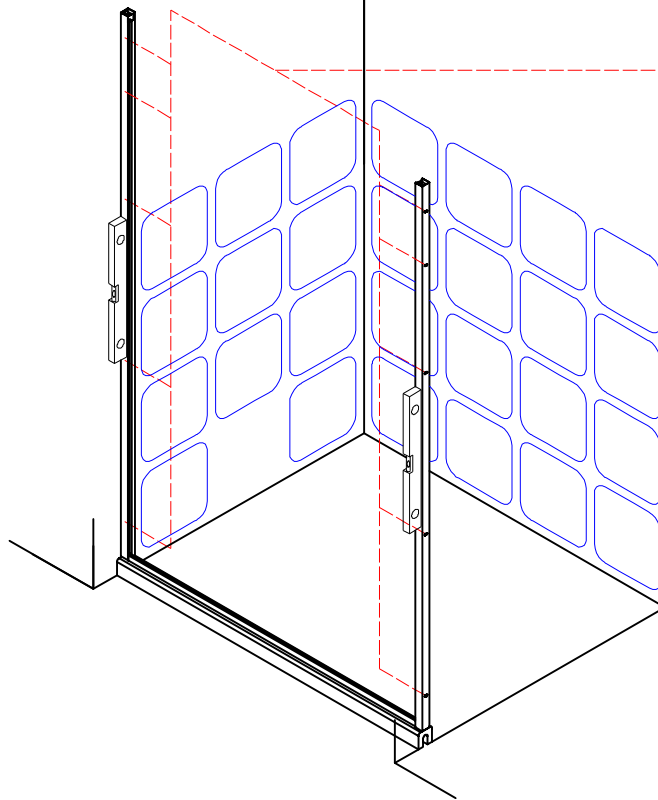
A



F



9



10