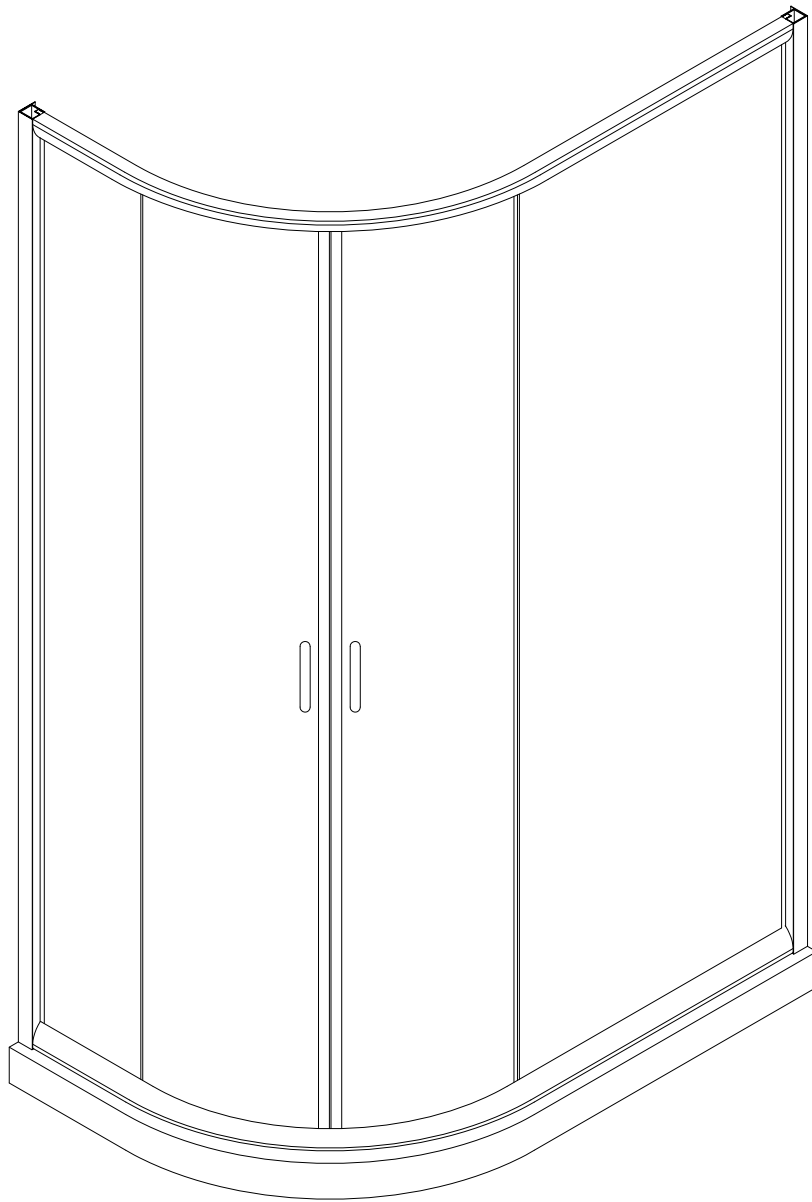
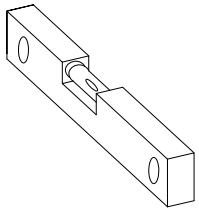
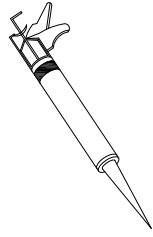


SR1952

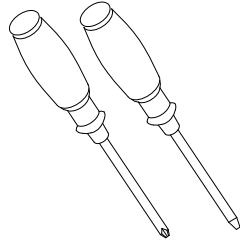




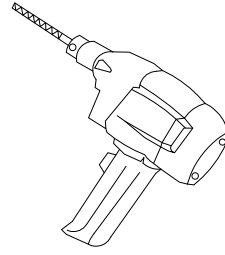
(A)



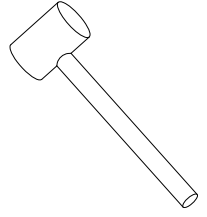
(B)



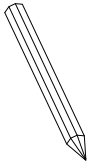
(C)



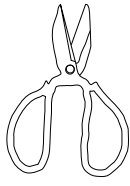
(D)



(E)



(F)

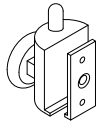


(G)



6pcs

1



4pcs

2



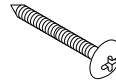
4pcs

3



ST4*13
4pcs

4



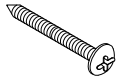
ST4*40
6pcs

5



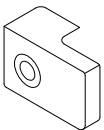
ST4*12
6pcs

6



ST4*55
8pcs

7



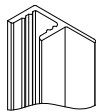
4pcs

8



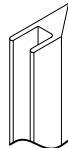
4pcs

9



4pcs

10



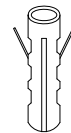
2pcs

11



2pcs

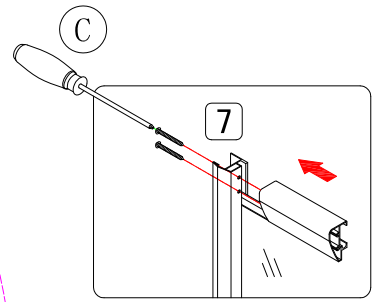
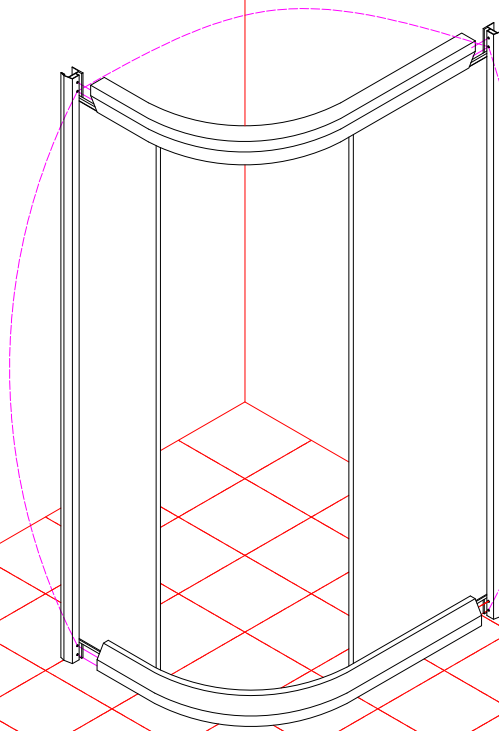
12



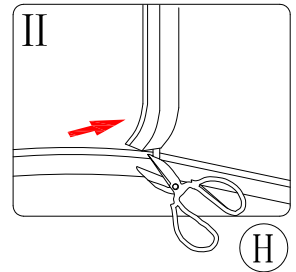
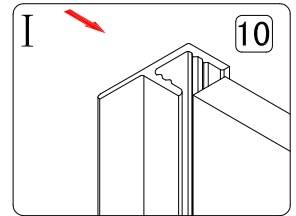
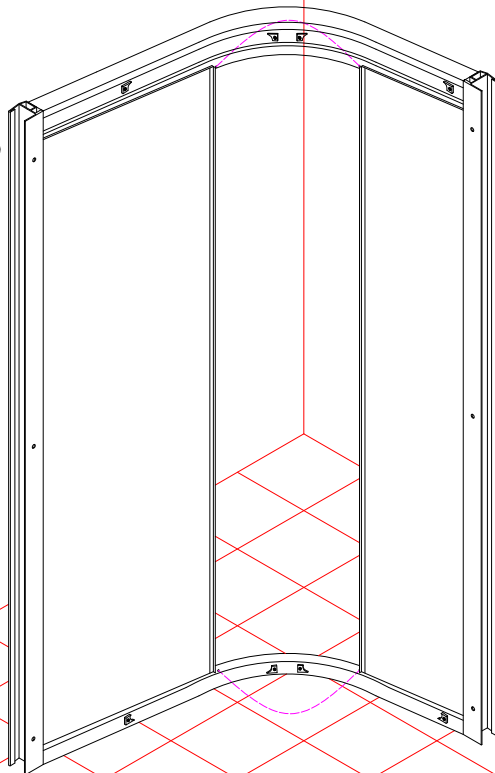
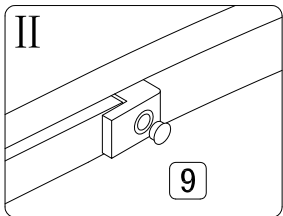
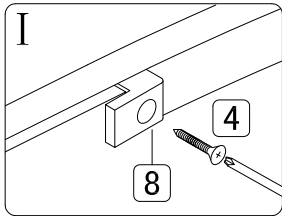
6pcs

13

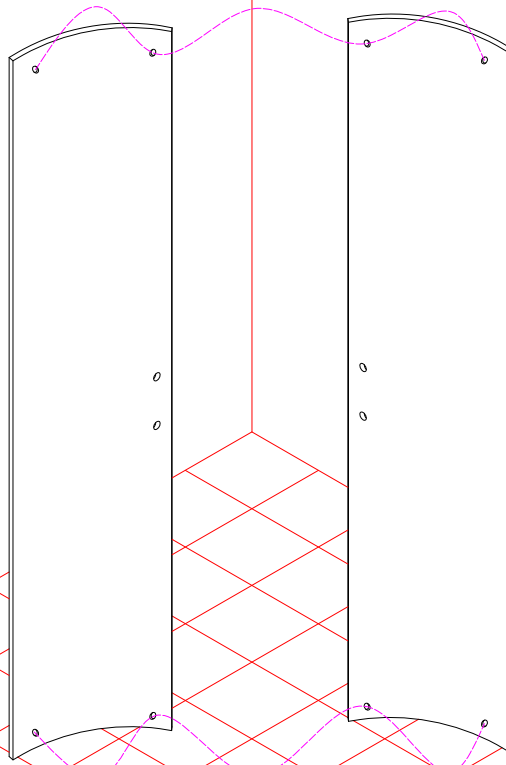
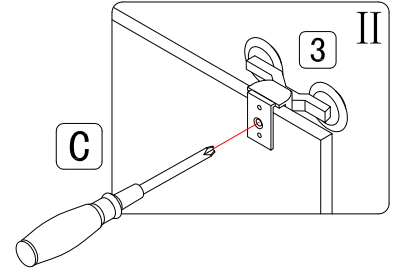
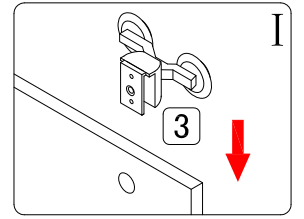
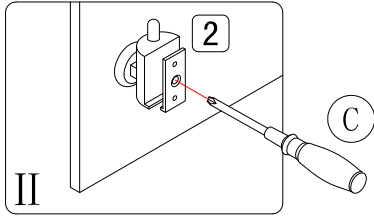
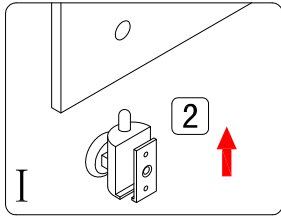
(1)



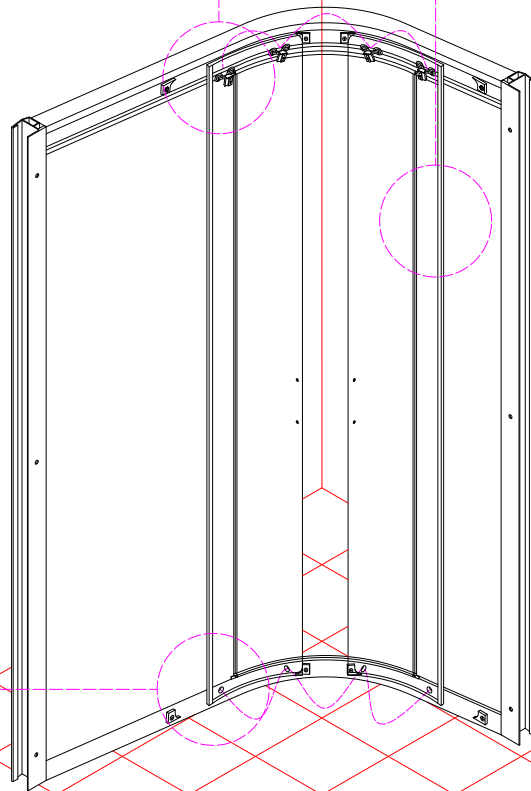
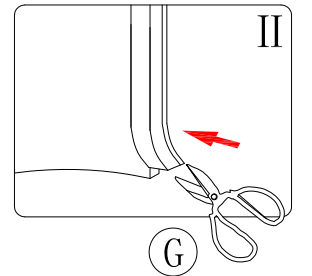
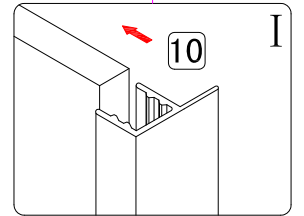
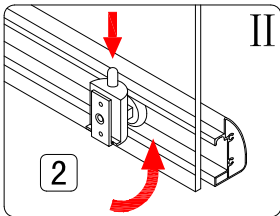
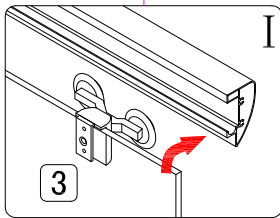
(2)



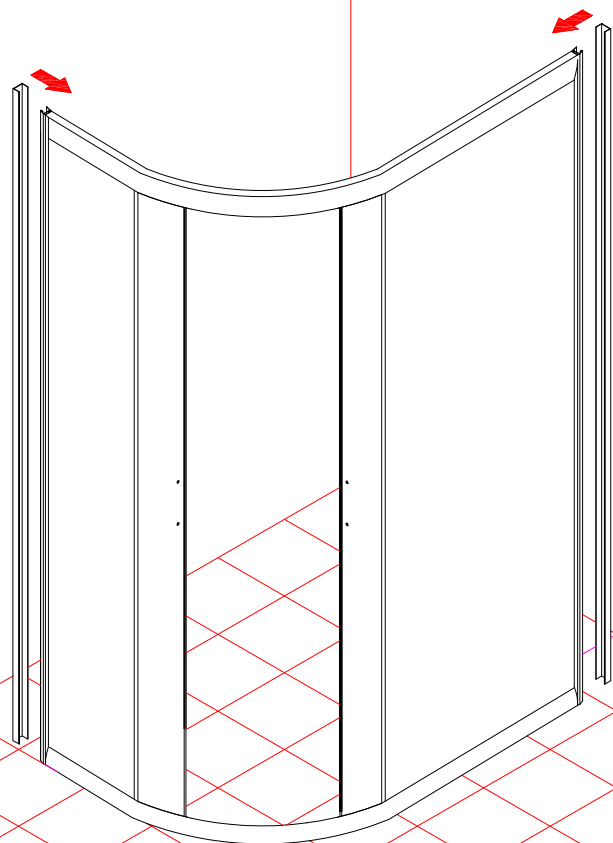
(3)



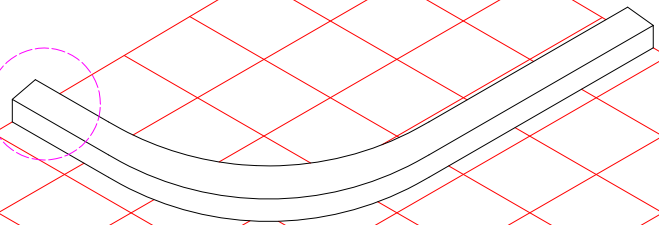
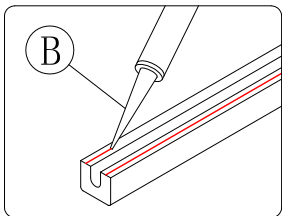
(4)



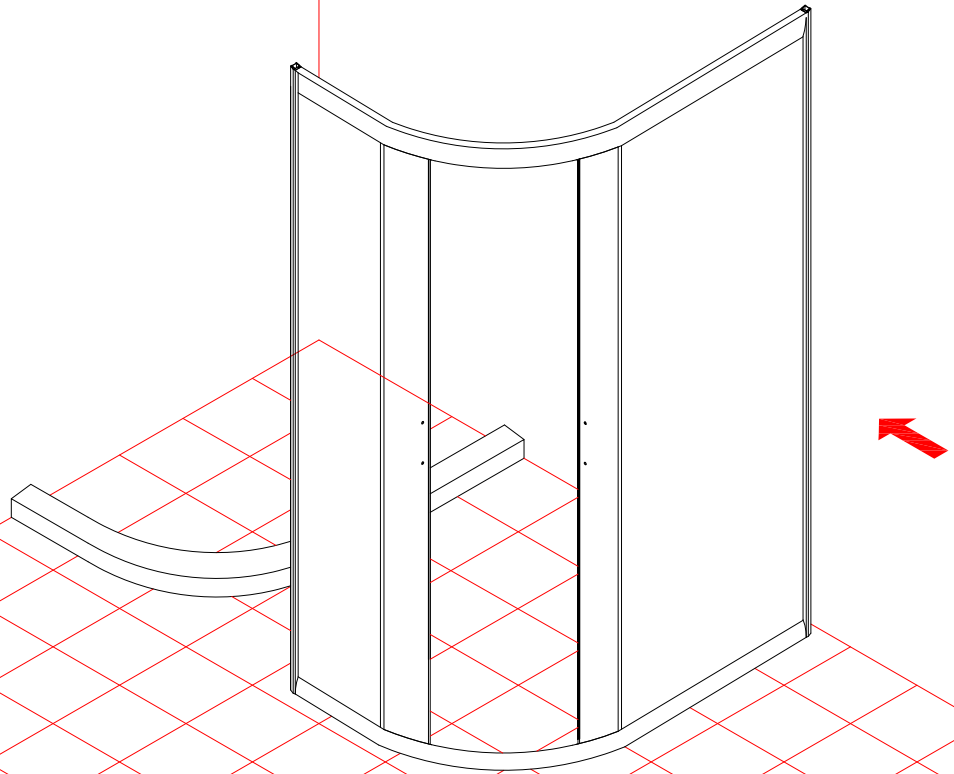
(5)



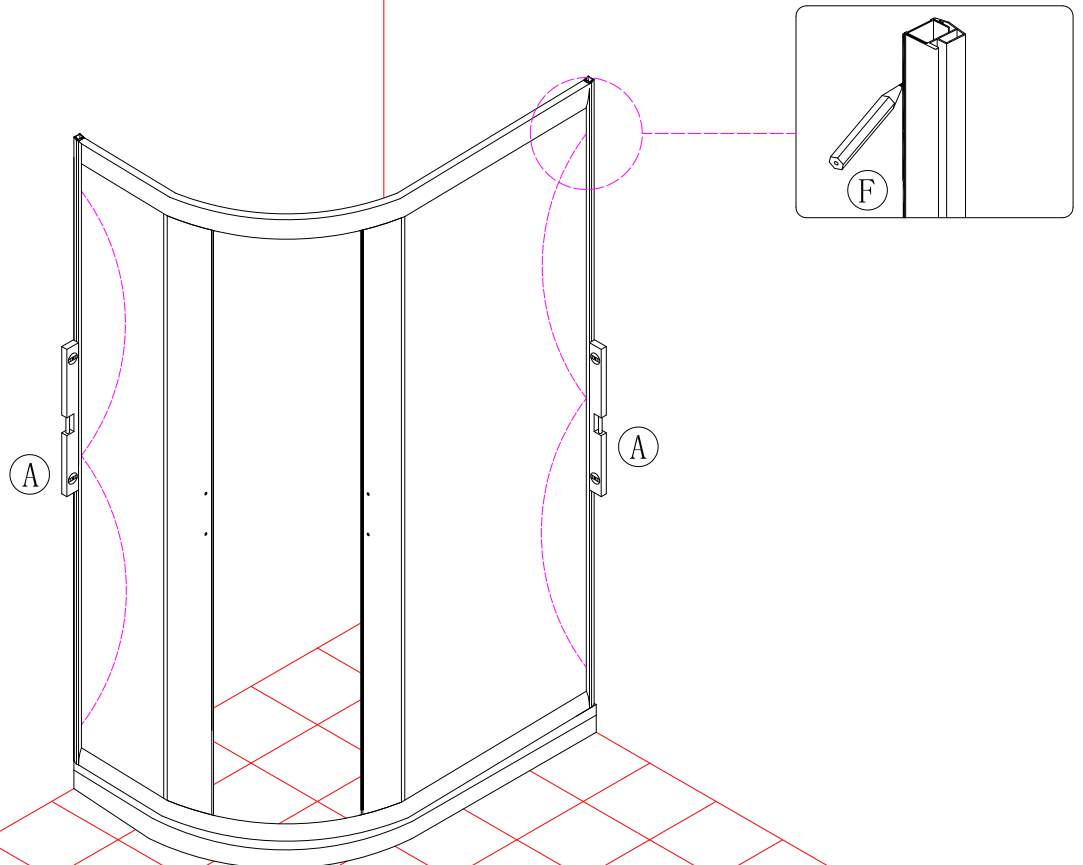
(6)



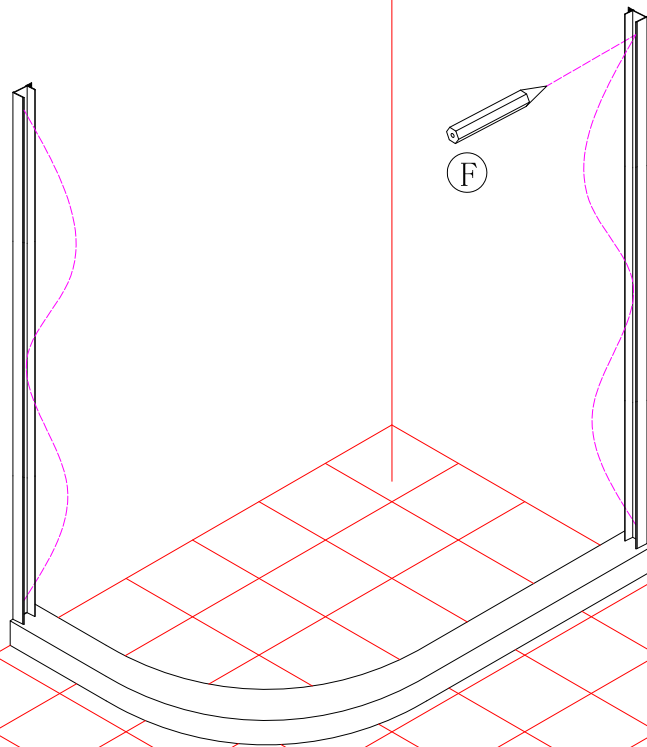
(7)



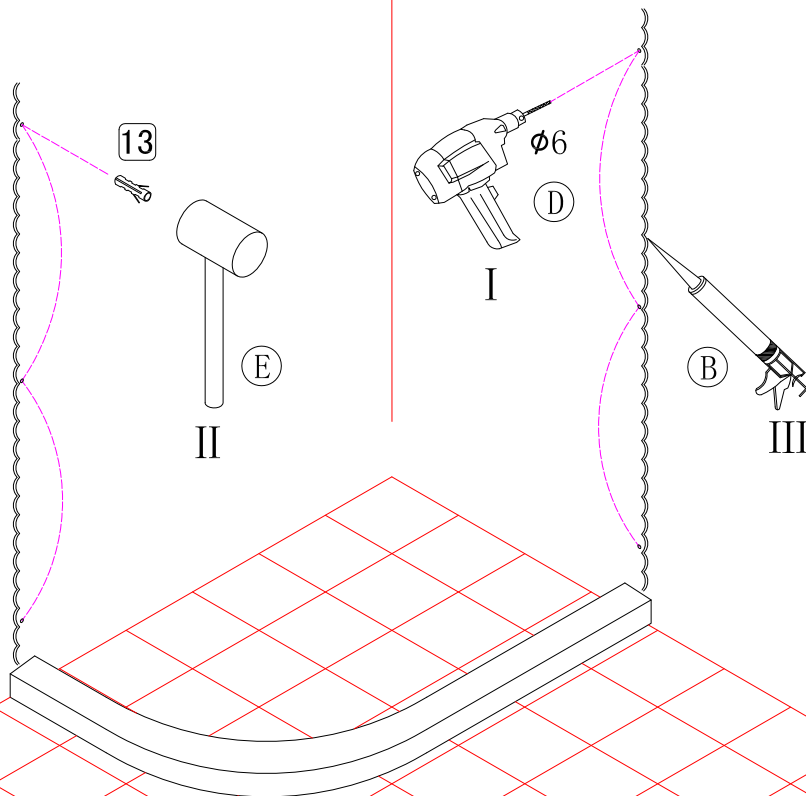
(8)



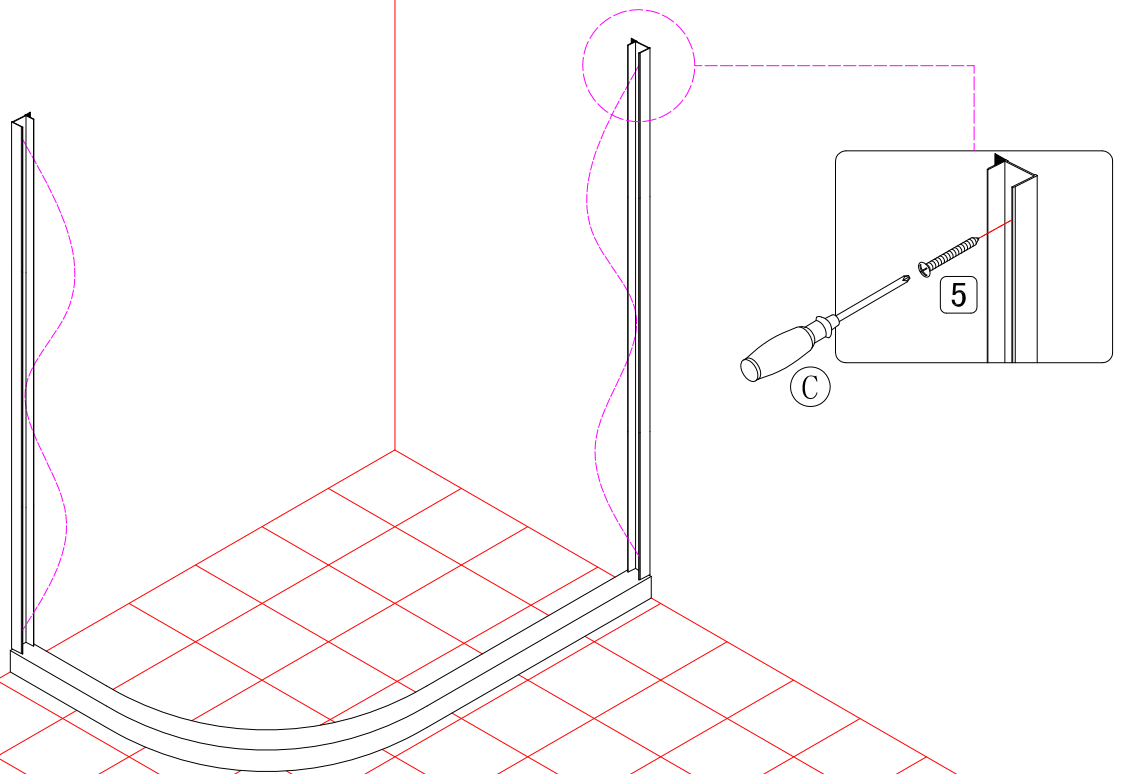
(9)



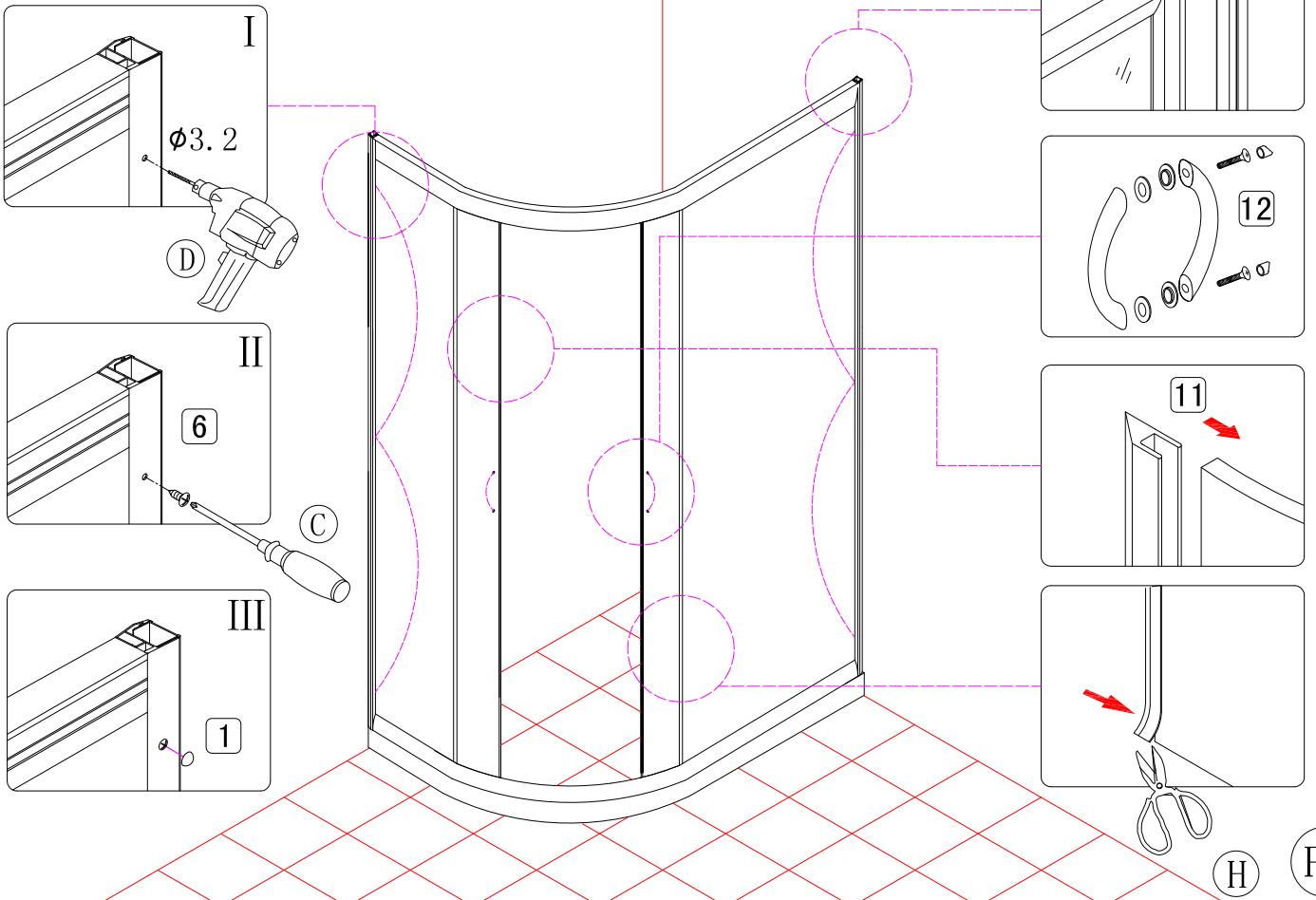
(10)



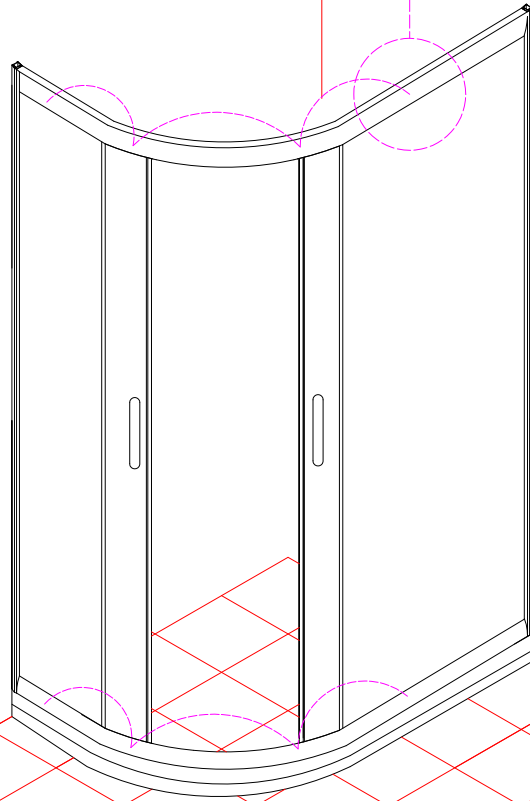
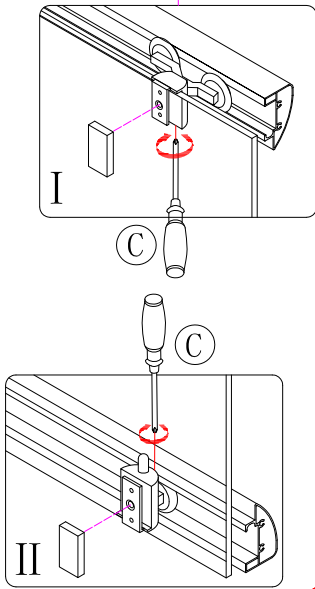
(11)



(12)



(13)



(14)

